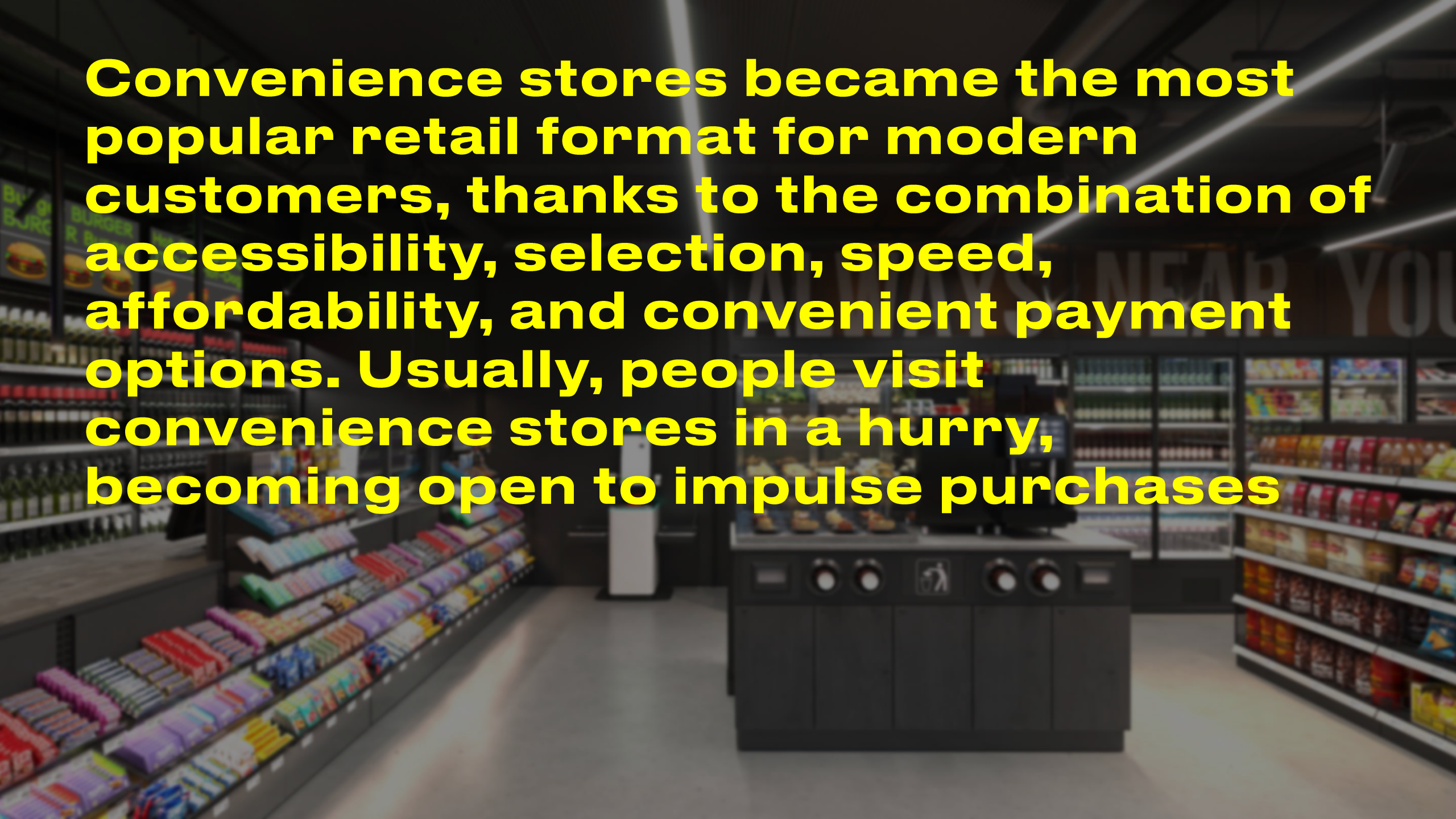


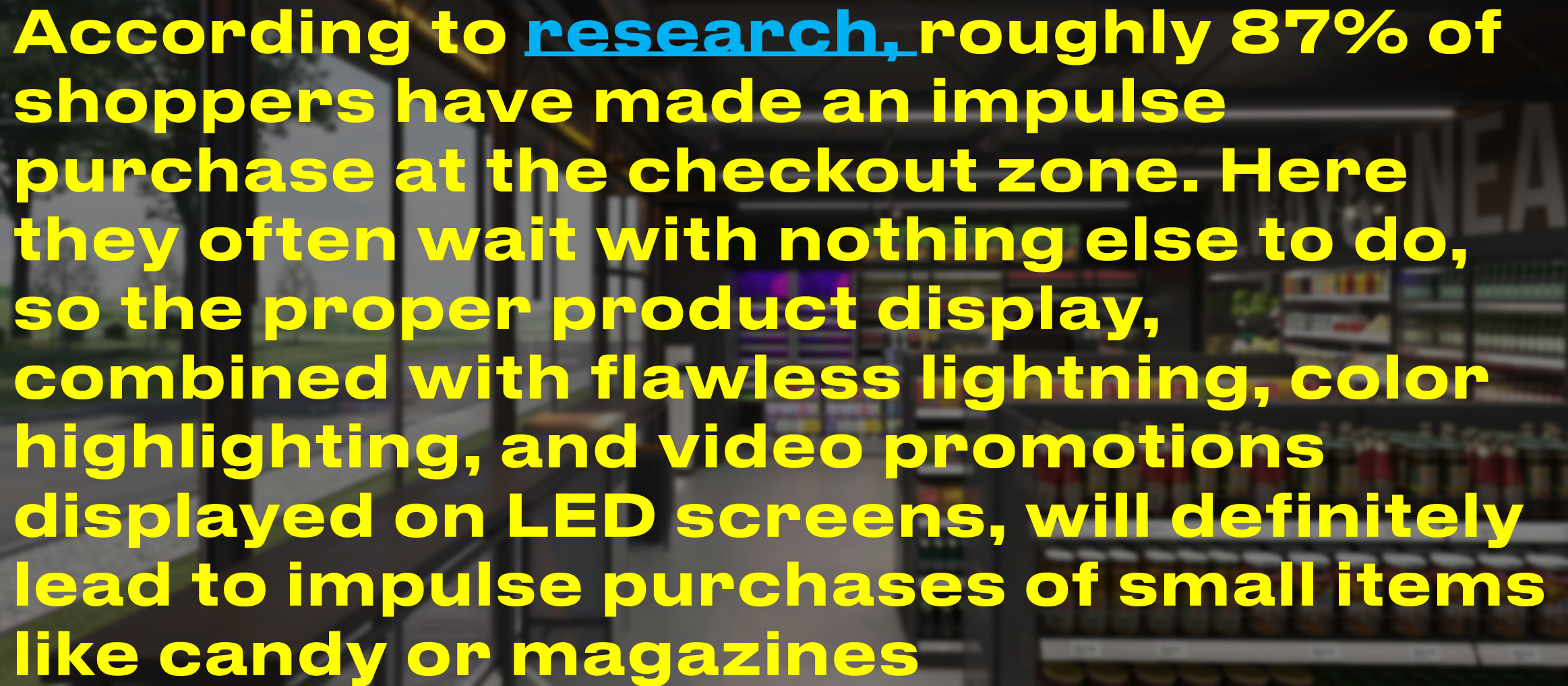
PULSAR

**CHECKOUT LINE
FOR CONVENIENCE
STORE**

M²DERN EXPO

Convenience stores became the most popular retail format for modern customers, thanks to the combination of accessibility, selection, speed, affordability, and convenient payment options. Usually, people visit convenience stores in a hurry, becoming open to impulse purchases



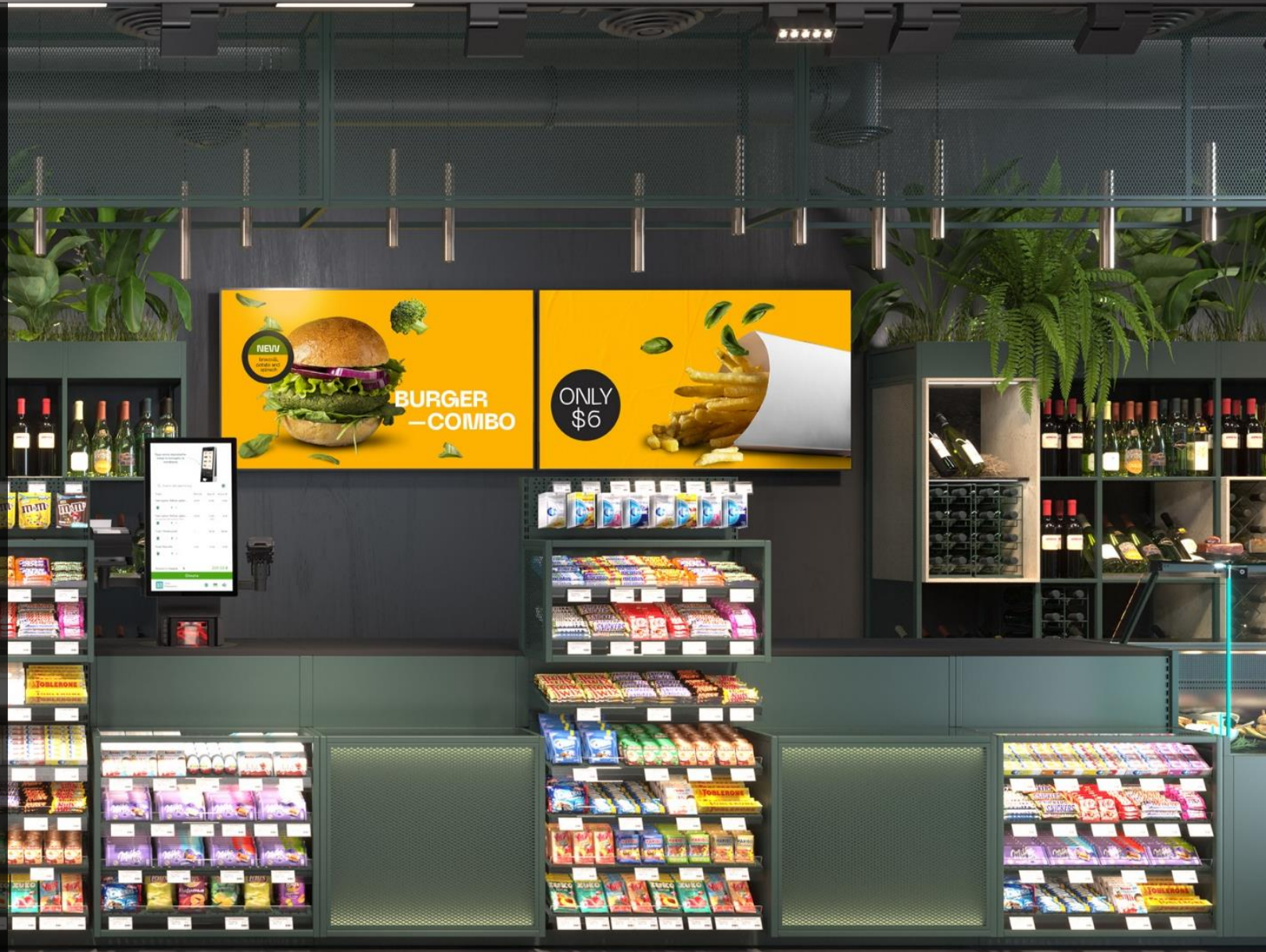


According to research, roughly 87% of shoppers have made an impulse purchase at the checkout zone. Here they often wait with nothing else to do, so the proper product display, combined with flawless lightning, color highlighting, and video promotions displayed on LED screens, will definitely lead to impulse purchases of small items like candy or magazines

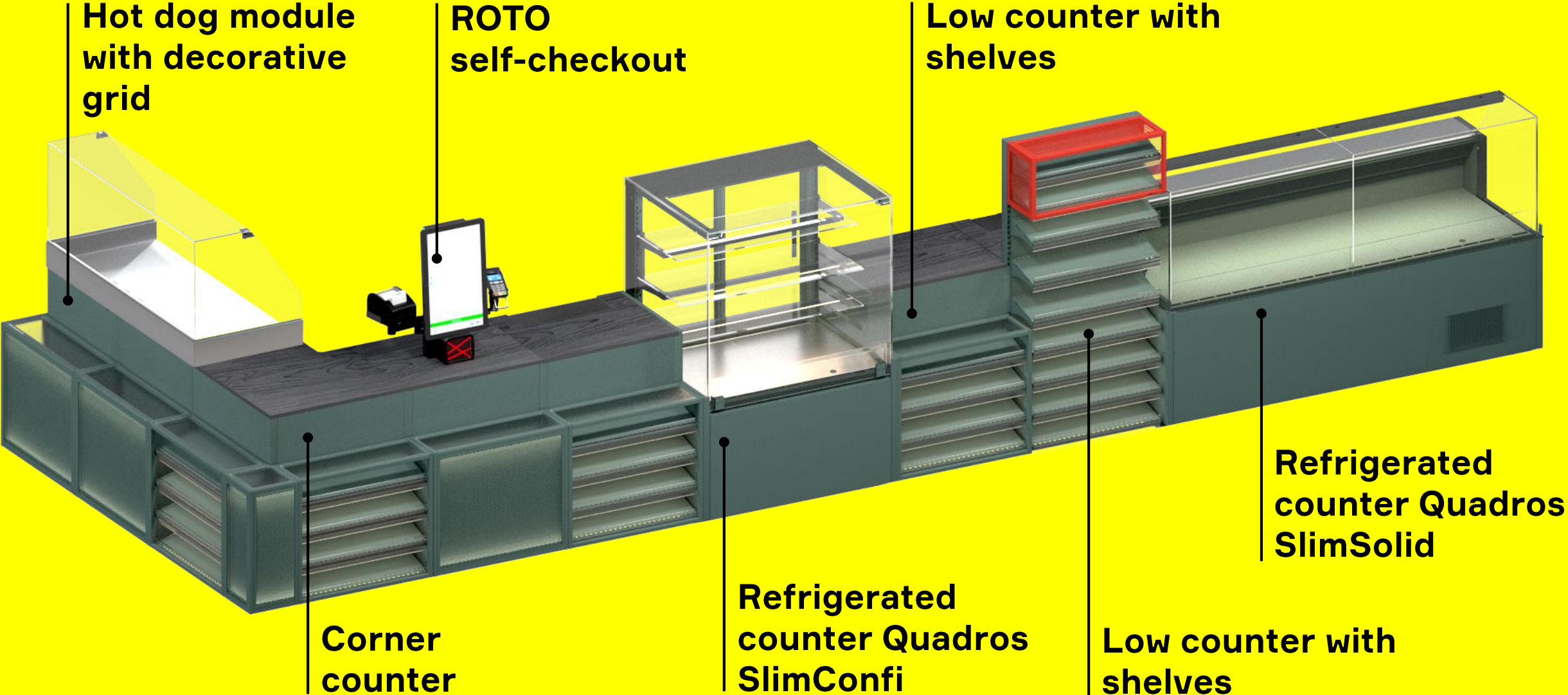
CHECKOUT LINE PULSAR

is an ideal solution for a modern convenience store checkout area with multifunctional capabilities

The modular construction allows placing different configurations of counters, refrigerated cabinets, hot-dog modules, and even ROTO self-checkout in one line complementing it with multifunctional rear shelving solutions



MODULARITY



Hot dog module with decorative grid

ROTO self-checkout

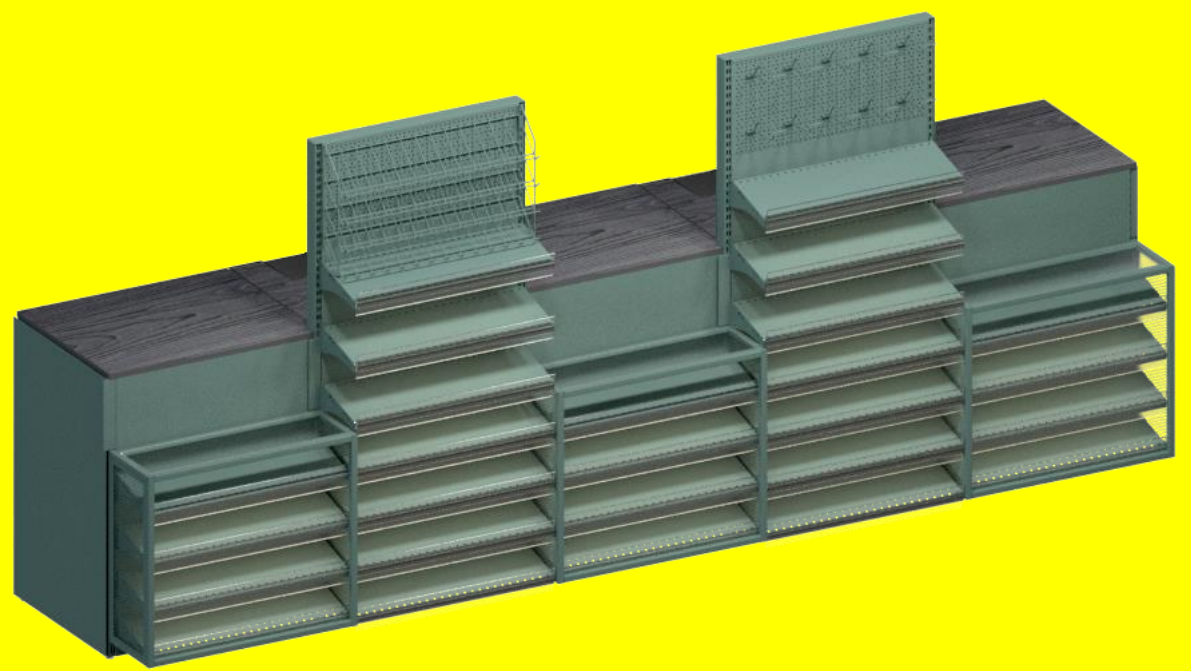
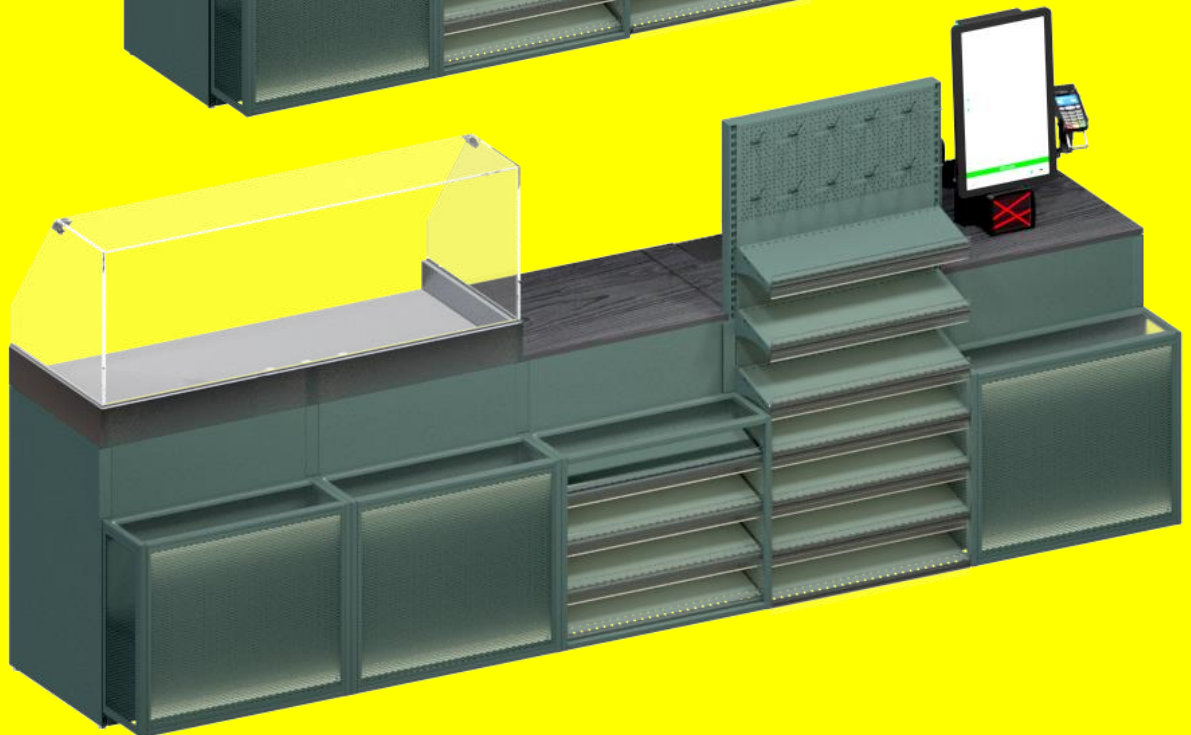
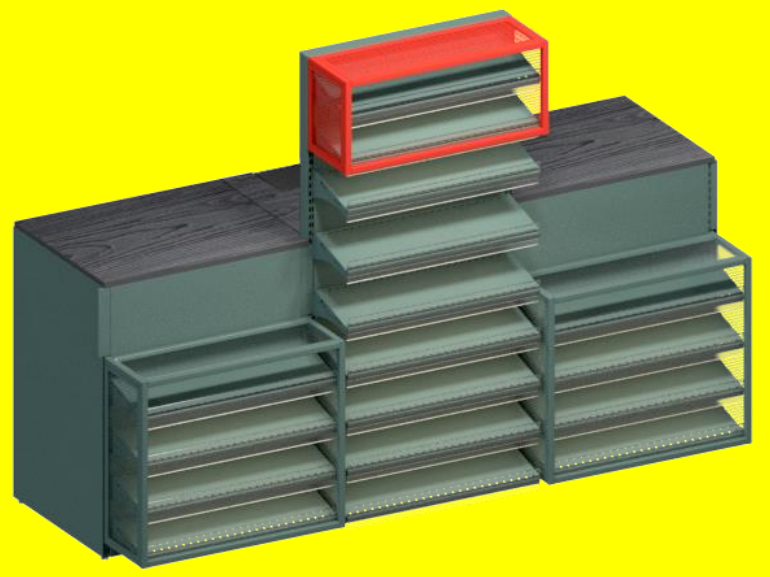
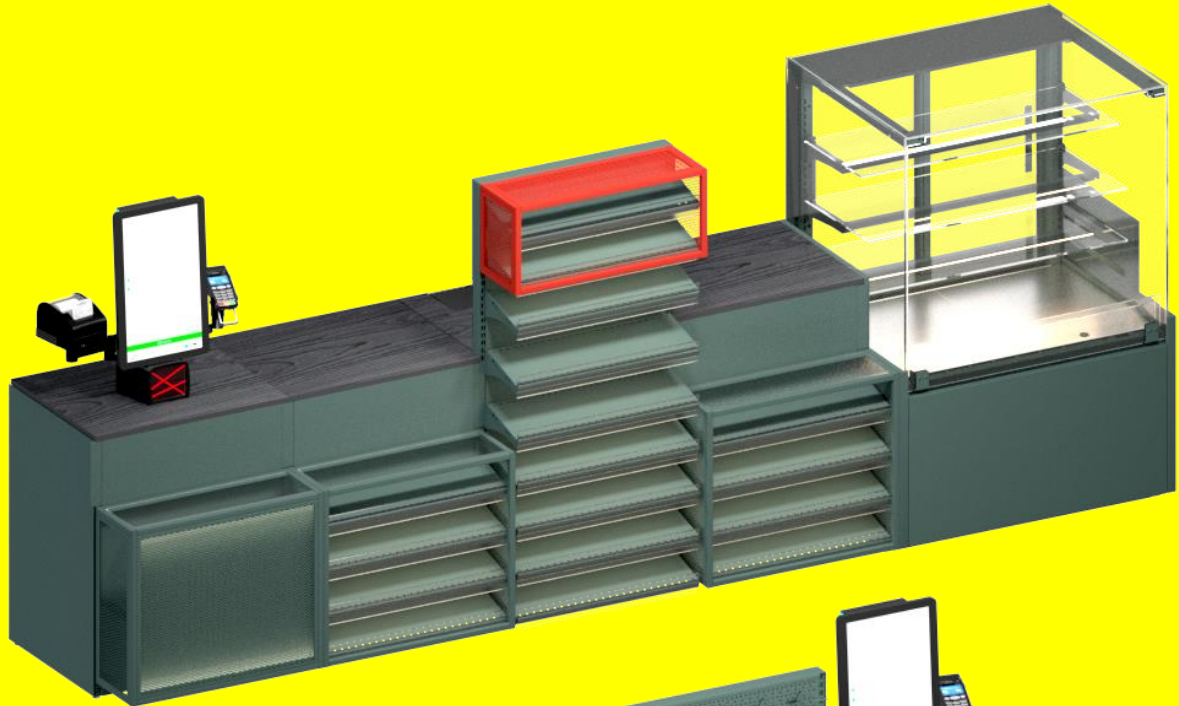
Low counter with shelves

Refrigerated counter Quadros SlimSolid

Corner counter

Refrigerated counter Quadros SlimConf

Low counter with shelves



COUNTERS FRONT SIDE

The counters can be supplemented with shelves, hangers, a chewing gum shelf or a decorative grid on the front side

Hot-Dog & Coffee
Super choice 6⁹⁹

Piece of Pizza
Take away 2⁹⁹

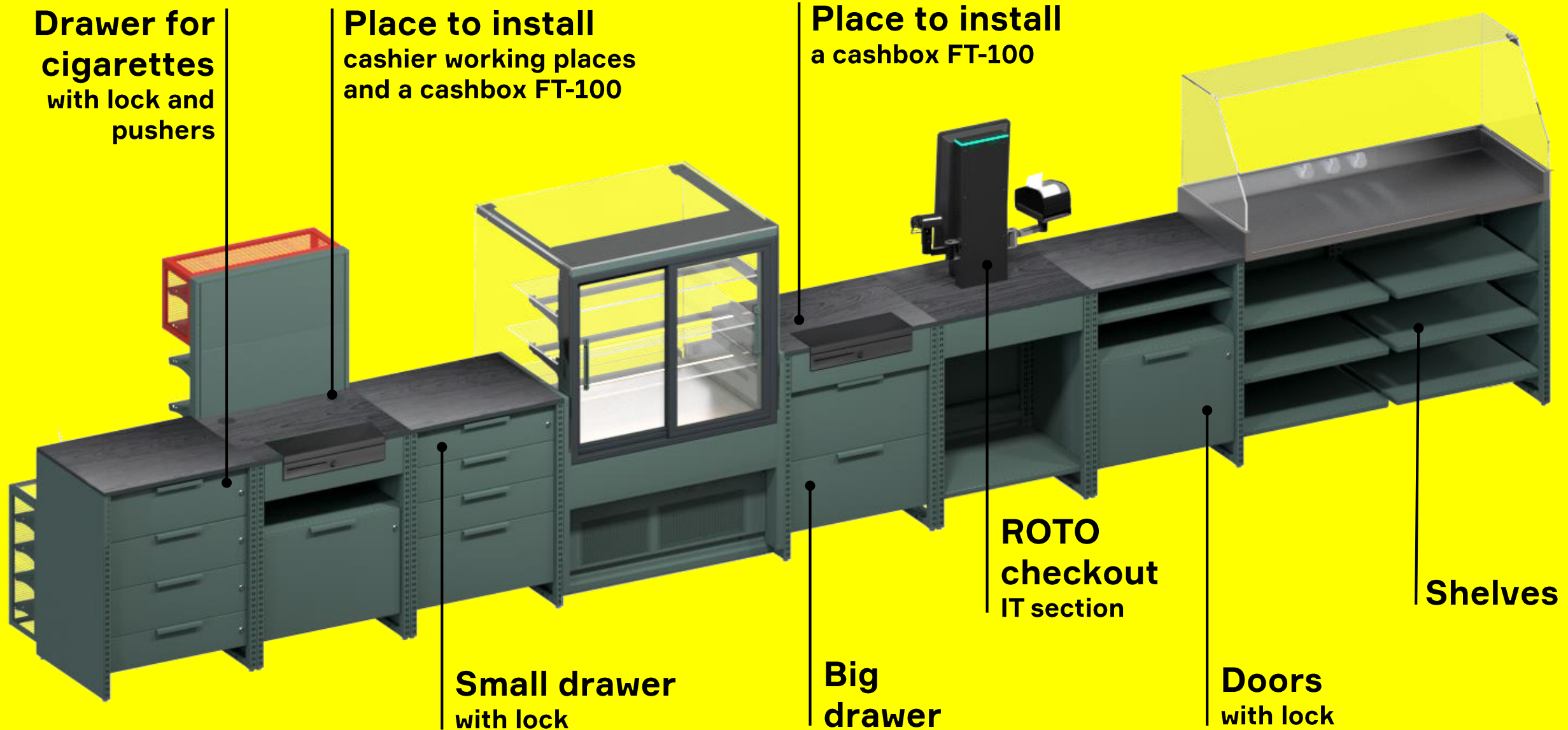
Burger Grill
Extra bacon 4⁹⁹

Burger & Cola
Less 50

PROMO FRAME integration focuses attention on particular products and increases cooperation with FMCG producers



COUNTERS REAR SIDE





**SELINE
ROTO**
Rotated self-checkout ROTO is a universal device with the possibility of working in self-service mode or traditional mode with a cashier

Будь ласка,
відскануйте товар

Пошук

Товар	Відсканувати	Кількість	Ціна за одиницю	Всього за
ZZZПоре Міана шэф-поре 37г перец чілі 1926945/0		1	5,71	5,71
Маса Прінглс 165г шинка сир 2266835/0		1	61,50	61,50

Знижка: 00 ₴
Кількість: 2

Всього: 67,21 ₴

Оплата

Сканувати
Сторону касю

11 10



SCENARIO OF WORK WITH ROTO

1



The cashier serves customers in the traditional mode at the ROTO checkout

2



The number of visitors to the store is increasing

3



The cashier rotates ROTO to SELF-SERVICE mode

4



Customers use ROTO in the SELF-SERVICE mode

5



During this time, the cashier is making hot dogs

QUADROS SLIMCONFI

Refrigerated counter specially designed to demonstrate and sale of confectionery. Equipped with glass shelves, providing optimal visibility of the product



QUADROS SLIMSOLID

**Compact
refrigerated counter
with improved
visibility, additional
understorage
volume, energy-
efficient solutions**

**Installation in one line
with PULSAR will
provide the perfect
solution for your
convenience store**



HOT DOG MODULE

The stainless steel countertop and glass protection on the customer side meet the food preparation standards, ensuring the best view of the hot dog cooking process

Unit dimensions allow placing grills for baguettes and sausages on the countertop, as well as a fridge for stock underneath the module



REAR CHECKOUT LINE

The area behind the cashier is harmoniously combined with the front line using shelving and promo frames with the same design as counters

Four promotional banners are displayed horizontally above the shelving. From left to right: 1. 'Hot-Dog & Coffee' with a price tag of 'Super 99' and a 'Hiday' logo. 2. 'Piece of Pizza' with 'Take away' and a price tag of '2.99' and a 'Hiday' logo. 3. 'Burger Grill' with 'Extra bacon' and a price tag of '4€' and a 'Hiday' logo. 4. 'Burger & Cola' with 'Less price' and a price tag of '5.50€' and a 'Hiday' logo. Each banner features an image of the respective product.



Hot-Dog & Coffee
Super choice
6⁹⁹ €
Hidoy

Pizza
Take away
2 €
Hidoy

Burger Grill
Extra
4 €
Hidoy

Burger & Cola
Less price
5⁵⁰ €
Hidoy

MOBILE POST OFFICE

Special shelves for organizing the pick-up and drop-off of postal parcels help to transform the store into a mobile post office, providing additional value to the customer and increasing store traffic

A vertical stack of four digital displays. The top two show floral patterns, and the bottom two show product images. Below the displays are shelves of various products, including boxes and containers.

A green-bordered shelf unit containing several bottles of liquor, including brands like James Watson and D.O.M. The bottles are arranged on two shelves with price tags below them.

A green-bordered shelf unit containing various bottles of beer and wine, including brands like Heineken and Gancia. The bottles are arranged on two shelves with price tags below them.

A grey metal cabinet or counter unit with a digital display and a printer-like mechanism.

A tall, narrow shelving unit filled with various bottles of beer and wine, organized in rows.

Hot-Dog & Coffee
Super choice
6.99€
Hiday



Piece of Pizza
Take away
2.99€
Hiday



Burger Grill
Extra bacon
4€
Hiday



Burger & Cola
Less price
5.50€
Hiday



**PROMO
SCREENS**
Bright UHD 4K
promo screens
behind shelvings
help to focus
visitors' attention
on the most
profitable offers



Hot-Dog & Coffee
 Super choice **6.99€**
 Hiday

Piece of Pizza
 Take away **2.99€**
 Hiday

Burger Grill
 Extra bacon **4€**
 Hiday

Burger & Cola
 Less price **5.50€**
 Hiday

TOBACCO BACKWALLS
 A worthwhile addition for the shelving line, with LED lighting and advertising panels

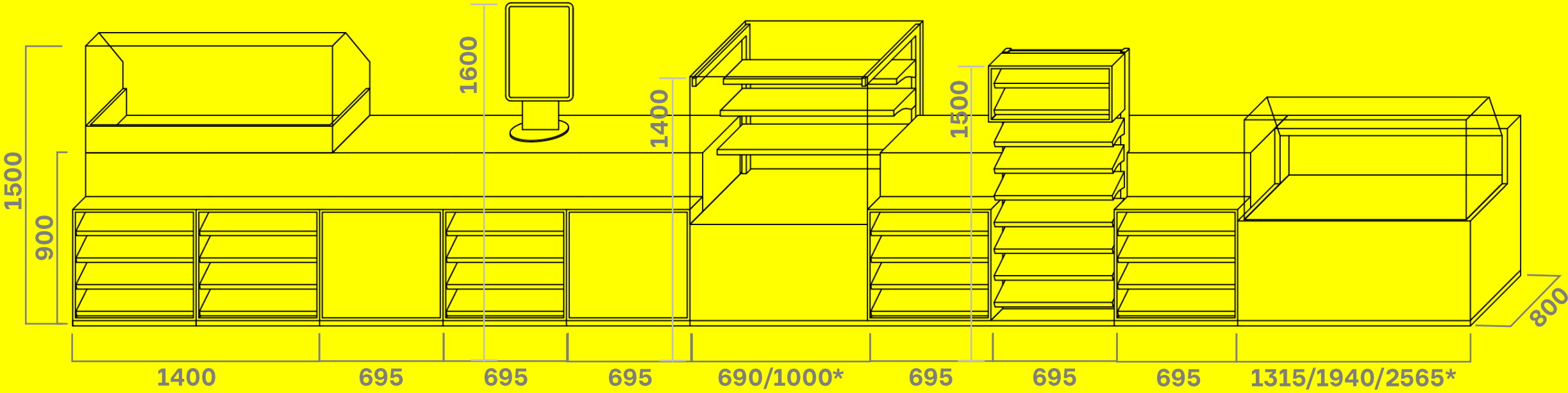
Advertising panels with LED lighting and shelving units for tobacco products.

Shelving line for tobacco products, featuring various brands and prices.

16.1	21	3	4	3	21	16	21	16
3	12	21	4	3	12	21	4	3
16	21	3	21	3	12	36	16	12
16	4	16	21	12	12	21	21	16

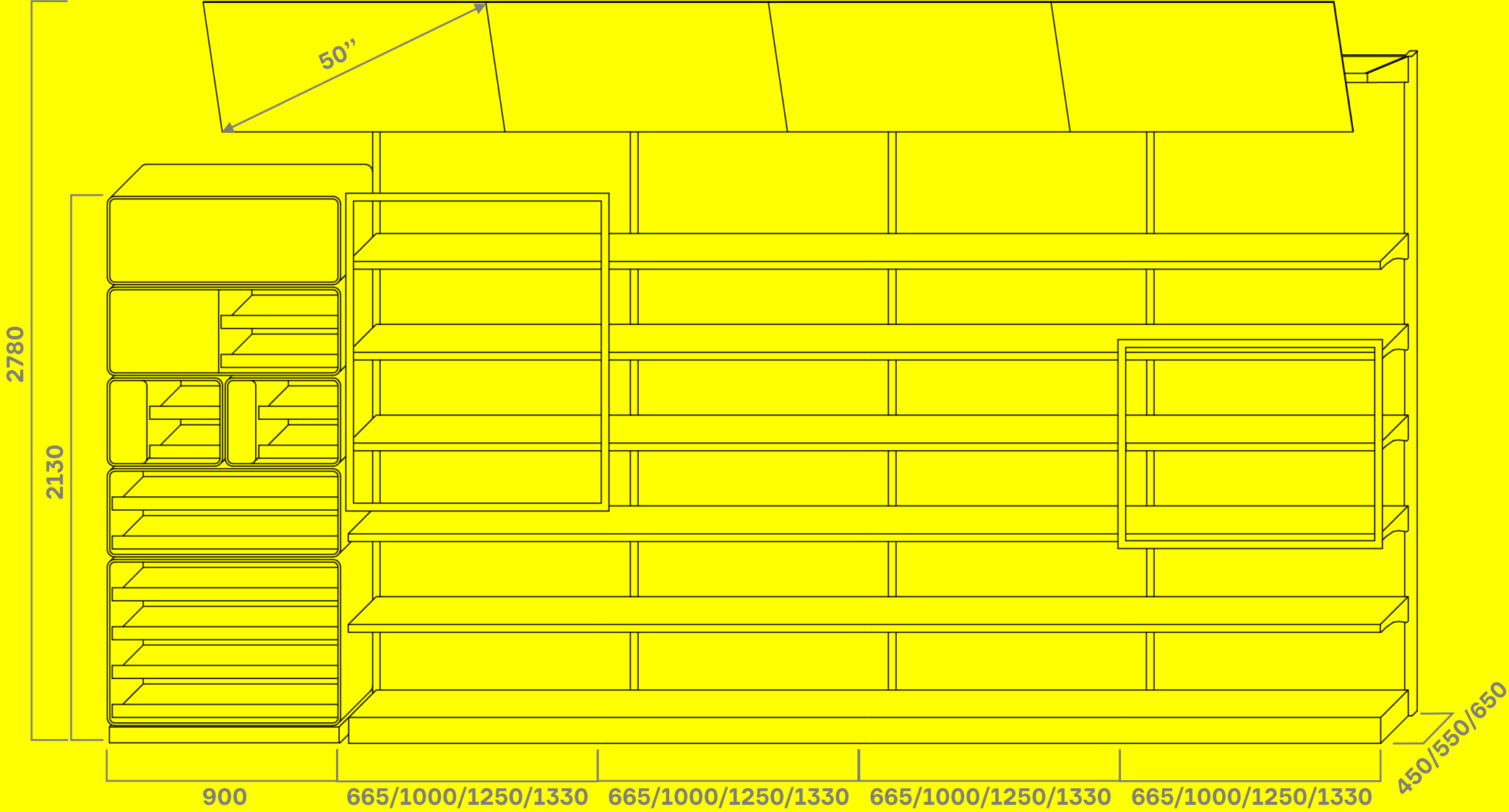
MAISON BLANCHE MEDOC
 Gancia
 DE LAS CASAS STULIEN, MEDOC
 SASSICIA
 PETRUS
 MAISON BLANCHE MEDOC
 Gancia
 GRAND VIN DE LEVILLER DU MARQUIS DE LAS CASAS STULIEN, MEDOC
 CAYMUS VINEYARDS
 Dom Pérignon
 CAYMUS VINEYARDS

DIMENSIONS



*The specified size includes the side panels

DIMENSIONS



TECHNICAL SPECIFICATION

GENERAL

Power supply
220 V

LED Lighting
4000 K

COUNTERS

Countertop
**Chipboard Egger
Black Forest
18 mm**

SELINE ROTO

Processor
Intel i5-8250U

Barcode Scanner
**Datalogic Magellan
3450VSI**

Touch screen
**21,5" class A
screen
Projective-
capacitive touch
sensor**

REFRIGERATORS

Temperature class
3H1(+1...+10 °C)

Refrigerant
R290

Refrigeration unit
Plug-in

CASES

groszek alkohole

1. Wskazywanie kuponów i Zdrapki (do kwoty 20 zł):
- 20 zł 1 kupon, 1 zdrapka,
 - 40 zł 2 zdrapki i 2 kupony,
 - 60 zł 3 zdrapki i 3 kupony,
 - 80 zł 4 zdrapki i 4 kupony,
 - 100 zł i powyżej 5 zdrapek i 5 kuponów
2. Wprowadzenie limitów dziennych na otrzymanie kuponów i zdrapek, (limit dzienny 5 zdrapek, 5 kuponów)
3. Aby zrealizować wygrany bon na 25 zł konsument musi wydać minimum 30 zł



W sklepie Groszek Konsument łączy w odpowiedni baner na górze głównej strony w aplikacji, przechodzi do dedykowanej sekcji ze ZDRAPKAMI I SUPER KUPONAMI



Karty Emblemat, warunek aktywowania kuponu jest dokonanie karty
Chęć po dokonaniu karty w aplikacji
Nabawa bity w ramach kwoty
Podjęty punkt





kasa 1

groszek
alkohole

Współpraca z MEGA Żurapia
Współpraca z MEGA Żurapia

Współpraca z MEGA Żurapia
Współpraca z MEGA Żurapia

Współpraca z MEGA Żurapia
Współpraca z MEGA Żurapia

Obiekt monitorowany
Alkohol szkodzi zdrowiu

groszek
alkohole

- nadchodzi większa impreza - oferta okolicznościowa
- kosze prezentowe
- orlen paczka
- paysafecard
- ty darunkow
- lizacja bonu
- lexo

Miłośnicy do lat 18
nie mogą kupić alkoholu
nie mogą kupić alkoholu

FRANCISZE
YUSE GO

SUBWAY
Chupa Chups

MEGA Żurapia
SUPER KUPON

MEGA Żurapia

Orbit mini

MEGA Żurapia

YMBARK
KUPUJ CO ŁADA

KASA

kasa 1

groszek alkohole

NOTA LOTERII DLA TWOJEGO KONSUMENTA

MEGA Zdrapka

LOTERIA MEGA Zdrapka

od 18.04 do 09.07.2024

Wygrywaj atrakcyjne nagrody!

Zawsze skanuj swoją kartę

18.99	19.99	16.99	19.99	22.99	22.99
22.99	18.99	22.99	12.99	22.99	22.99

Obiekt monitorowany

Alkohol szkodzi zdrowiu

groszek alkohole

- nadchodzi większa impreza - oferta okolicznościowa
- kosze prezentowe
- orien paczka
- paysafecard

Młodzieży do lat 18 napojów energetycznych nie sprzedajemy

WISKA

32%

WISKA

32%

WISKA

32%

WISKA

32%

WISKA

32%

WISKA

32%

WISKA

32%

WISKA

32%

WISKA

32%

WISKA

32%

WISKA

32%

WISKA

32%

WISKA

32%

WISKA

32%

WISKA

32%

WISKA

32%

WISKA

32%

WISKA

32%

WISKA

32%

WISKA

32%

WISKA

32%

WISKA

32%

WISKA

32%

WISKA

32%

WISKA

32%

WISKA

32%

WISKA

32%

WISKA

32%

WISKA

32%

WISKA

32%

WISKA

32%

WISKA

32%

WISKA

32%

WISKA

32%

WISKA

32%

WISKA

32%

WISKA

32%

WISKA

32%

WISKA

32%

WISKA

32%

WISKA

32%

WISKA

32%

WISKA

32%

WISKA

32%

WISKA

32%

WISKA

32%

WISKA

32%

WISKA

32%

WISKA

32%

WISKA

32%

WISKA

32%

Orbit

Orbit

Orbit

Orbit

Orbit

Orbit

Orbit

Orbit

Orbit

Orbit

Orbit

Orbit

WISKA

32%

WISKA

32%

WISKA

32%

WISKA

32%

WISKA

32%

WISKA

32%

WISKA

32%

WISKA

32%

WISKA

32%



MODERN EXPO
MODERN EXPO
MODERN EXPO
MODERN EXPO
MODERN EXPO

MODERN EXPO
MODERN EXPO



Let's Play



MODERN EXPO
MODERN EXPO

MODERN EXPO
MODERN EXPO

MODERN EXPO
MODERN EXPO

MODERN EXPO
MODERN EXPO

MODERN EXPO

MODERN EXPO

MODERN EXPO

GOLD PLAST

In Turkey for Plastic



Konditionsmanagement und
Planungsabrechnung
Vergleich Automaten

Manage your
Inventory
Effectively

POINT Mobile

MODERN
EXPO

MODERN
EXPO

#WEAREMODERN

STAY IN TOUCH!
FOLLOW US HERE:

